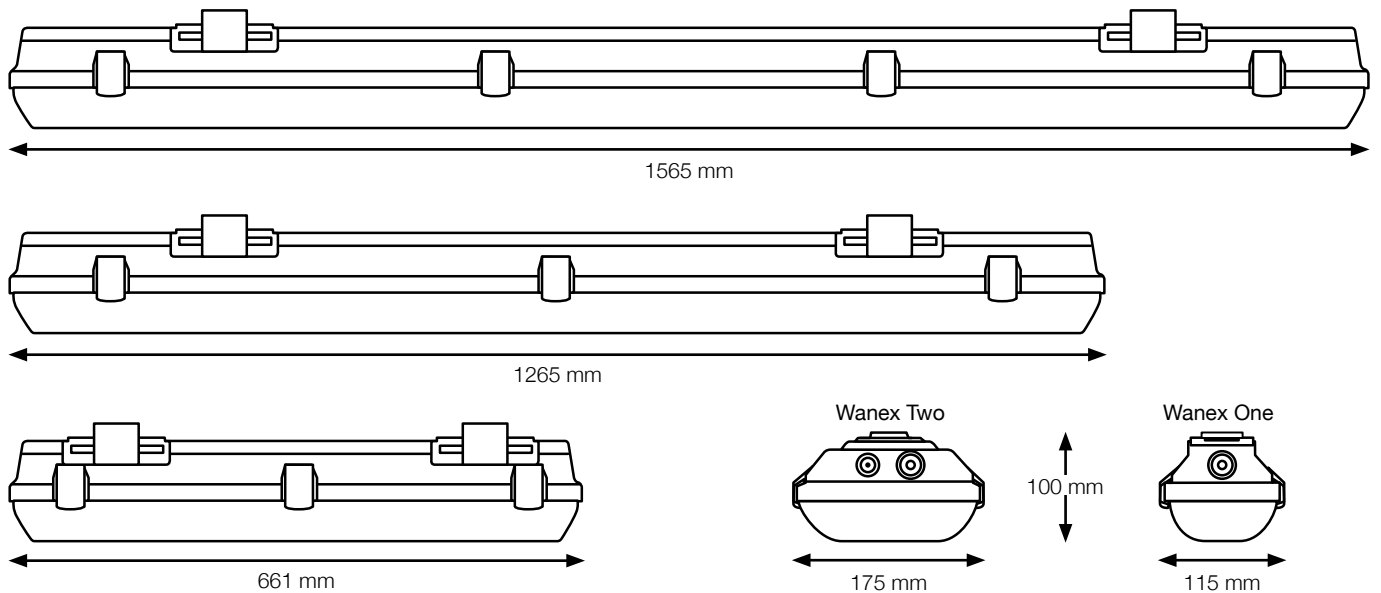




Wanex

Moisture-proof lamp for use with i-save PlusLED T8 LED tubes



Stainless steel closures



Mounting
(chain not included)



Area for flexible adjustment
of the mounting clamp



Detail: cable entry



Detail: cover with prisms

Applications

Wanex moisture-proof fixtures were designed exclusively for the use with i-save t8 tubes. There is no electronic control gear needed. Maintenance costs and -intervals are reduced distinctly.

Due to its construction the Wanex LED fixture allows the usage of i-save t8 LED tubes in different kinds of extreme surroundings. The fixture is usable in in- and outdoor areas.

Instantaneous on / off operation saves even more energy and allows an optimization of the ROI.

Meets the requirements for usage in the food industry (IFS6, BRC 6, HACCP).

Features & Benefits

- 3 year warranty
- minor electricity consumption
- on / off operation
- usable worldwide 90-240 V, 50/60 Hz
- fast assemblage with mounting clamp (clip-in)
- adjustment of the fixture through flexible mounting area
- device for hanging installation (chain not included)
- high-quality stainless steel closures
- 2nd cable entry at the front-end (only in the double light fixture)
- surface-mounted and hanging installation possible
- compliant to IFS6, IFS Logistic 2.0, BRC 6, HACCP










 IFS6 BRC 6 HACCP

i-save reserves the right to make changes at any time in order to supply the best product available. Updated: March 2016. Latest update of this document is available on our website.

Construction

housing:	fibreglass reinforced polyester (RAL 7035), flame resitant
cover:	polycarbonat
sealing gasket:	EPDM
ceiling fixture:	stainless steel clamp
closure:	INOX 3pc., stainless steel V2A
lamp:	i-SAVE T8 LED tube(s) 600 mm, 1200 mm, 1500 mm
socket:	G13
protection class:	II
mechanical rating:	IP65

Weight

Wanex One 661 mm:	1,1 kg
Wanex One 1265 mm:	1,8 kg
Wanex One 1565 mm:	2,2 kg
Wanex Two 661 mm:	1,5 kg
Wanex Two 1265 mm:	2,5 kg
Wanex Two 1565 mm:	3,0 kg

Packaging Dimensions

Wanex One 661 mm:	675 x 120 x 105 mm
Wanex One 1265 mm:	1280 x 120 x 105 mm
Wanex One 1565 mm:	1580 x 120 x 105 mm
Wanex Two 661 mm:	675 x 180 x 105 mm
Wanex Two 1265 mm:	1280 x 180 x 105 mm
Wanex Two 1565 mm:	1580 x 180 x 105 mm

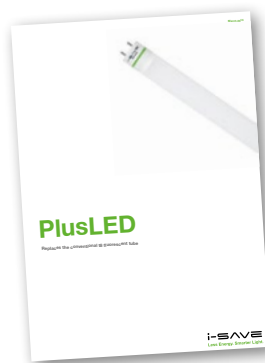
Installation

- hanging
- direct on ceiling

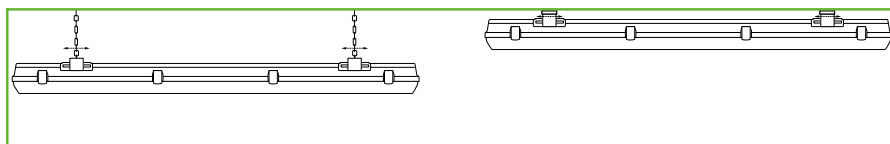
Certifications

- CE
- RoHS

Technical sheet for i-save T8 LED tubes



In our "Wanex" i-save T8 LED tubes are used. please see the special technical sheet for further information. the sheet is available on our website: www.i-save-energy.com



Installation with chains or on ceiling

Ordering Numbers

Ordering Number	Product-Name	Length
WN06-1	Wanex One	661 mm
WN12-1	Wanex One	1265 mm
WN15-1	Wanex One	1565 mm
WN06-2	Wanex Two	661 mm
WN12-2	Wanex Two	1265 mm
WN15-2	Wanex Two	1565 mm



i-save energy GmbH

Spandauer Damm 86

D-14059 Berlin

Tel.: + 49 (0)30 797 08 00 00

Fax.: + 49 (0)30 797 08 00 09

www.i-save-energy.com